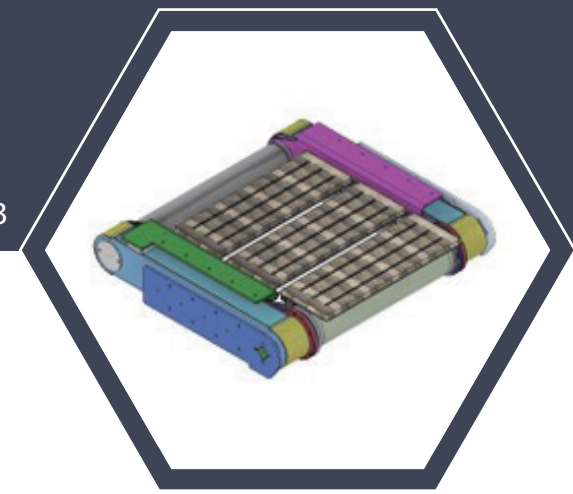


MINI TRANSFORMER

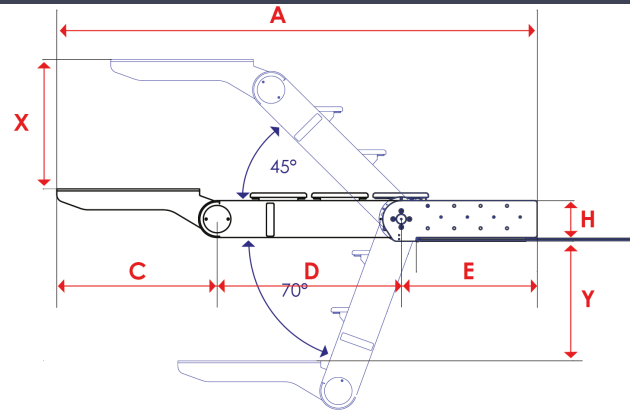
3341

sales@opacmare.nl / +31 320 26 17 23



The loading capacity includes the total platform weight (at shipyard's care), the full loaded tender or the jet ski.

The declared lifting capacity is assured if the load is positioned in the middle of measure C.



MODEL	N° steps	A (mm/inch)	B (mm/inch)	C (mm/inch)	D (mm/inch)	E (mm/inch)	F (mm/inch)	G (mm/inch)	H (mm/inch)	X (mm/inch)	Y (mm/inch)	Dinamic Load (Kg/lbs)	Static Load (Kg/lbs)	Peso/ Weight (Kg/lbs)
3341.30	3	1920/75" 1/2	922/36" 5/16	640/25" 3/16	735/29"	545/21" 1/2	854/33" 3/5	985/38" 3/4	210/8" 1/4	520/20" 1/2	481/19"	250/551	350/771	270/595

